



# I-Series Plus 175K BTU and Larger Boiler Free-Standing Rack

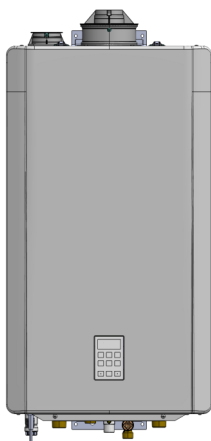


**Boiler Rack**

## FREE-STANDING RACK FOR INDOOR I-SERIES PLUS 175K BTU AND LARGER CONDENSING BOILERS

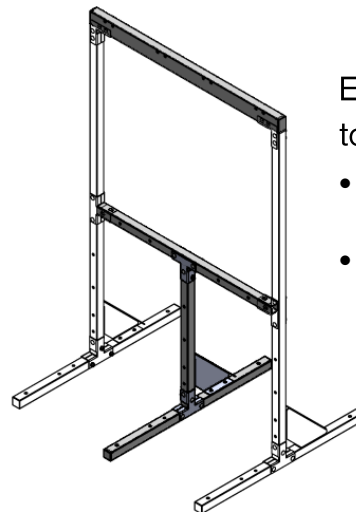
|   |   |
|---|---|
| <b>Product Name</b>                         | Rinnai Free-Standing Rack for I-Series Plus 175K BTU and Larger Condensing Combi and Heat-Only (Solo) Boiler Models |
| <b>Part Number</b>                          | RACKP   |
| <b>Compatible with Rinnai Boiler Models</b> | <ul style="list-style-type: none"><li>• IP175199C</li><li>• IP199199C</li><li>• IP175S</li><li>• IP199S</li></ul>   |
| <b>Installation Type</b>                    | Internal (Indoor)   |
| <b>Applications</b>                         | Residential and Commercial  |
| <b>Frame Material</b>                       | 12 Gauge, 1.5 in. (38 mm) Steel Square Tube   |
| <b>Weight</b>                               | 53 lb (24 kg) Assembled   |
| <b>Frame Finish</b>                         | Powder Coat   |
| <b>Frame Color</b>                          | Gray  |

### Compatible with I-Series Plus 175K BTU and Larger Condensing Boilers



- Boiler Sold Separately
- Combi Model Shown in Image
- Image is for illustrative purposes only

### Add-On Extension Kit (Optional)



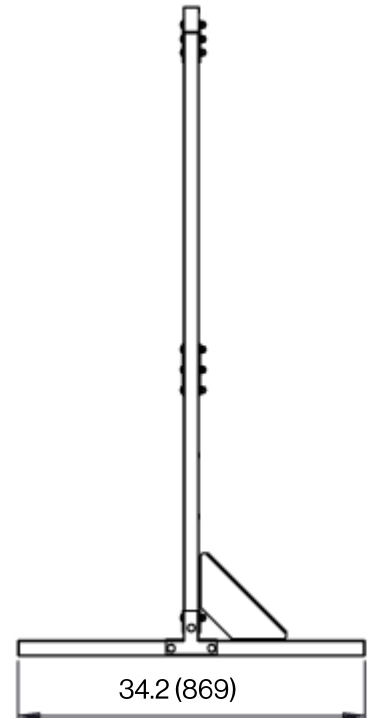
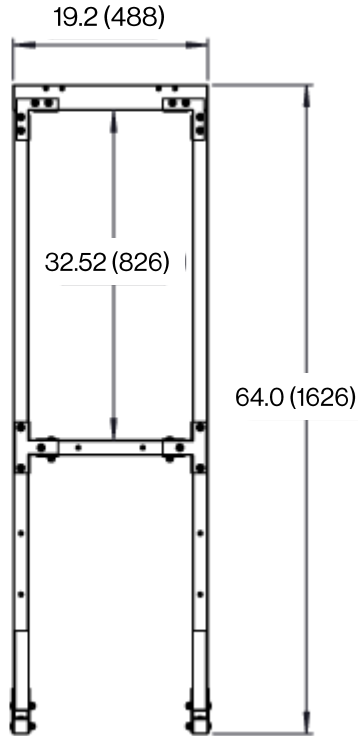
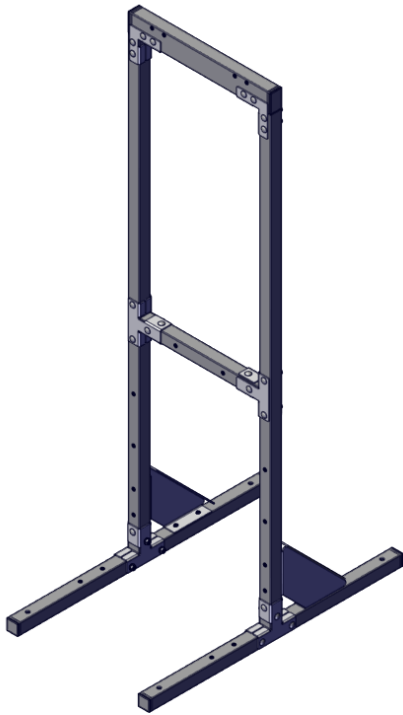
Extends the rack width to accommodate:

- Side-by-side configurations
- Configurations of two units or more

## Boiler Rack

Measurements: in. (mm)

|                  |                   |
|------------------|-------------------|
| <b>Part #:</b>   | <b>RACKP</b>      |
| Weight (lb./kg): | 53 (24) Assembled |



## Add-On Extension Kit

|                  |                   |
|------------------|-------------------|
| <b>Part #:</b>   | <b>RACKEXT</b>    |
| Weight (lb./kg): | 32 (15) Assembled |

